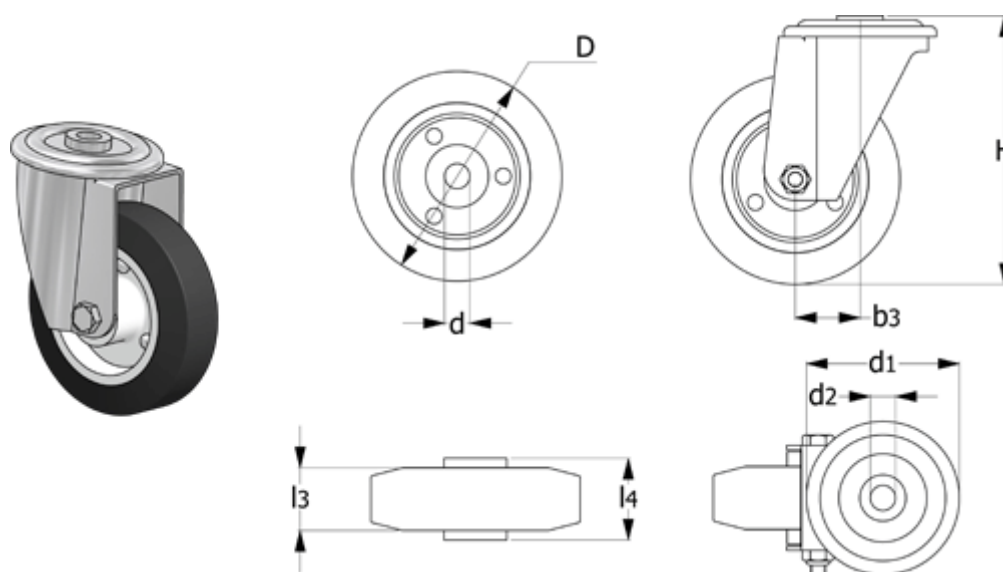


# Data Sheet



Article number: 2314450216  
Description: E+G rubber wheel 450216  
RE.E3-150-FBL-N turning plate without brake

## Measures



b3	= 37	H	= 182
Code	= 450216	l3	= 40
d	= 15	l4	= 44
D	= 150	Rolling resistance (N)	= 1000
d1	= 73	Type	= RE.E3-150-FBL
d2	= 12		
Dynamic load (N)	= 1700		
g	= 1350		